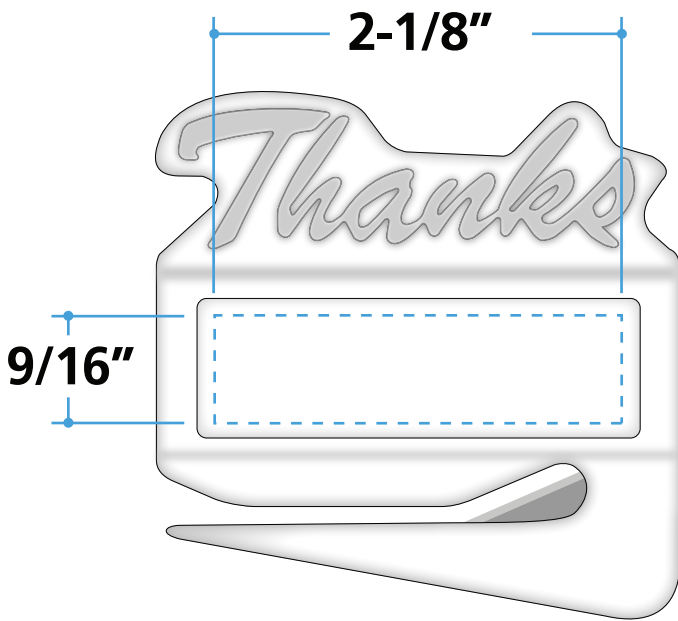
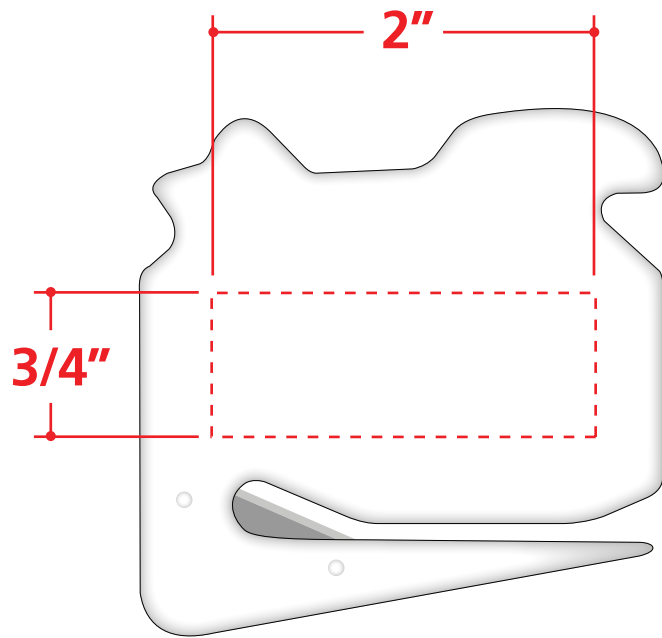




Layout Sheet for:
QP-165



Front



Optional Side