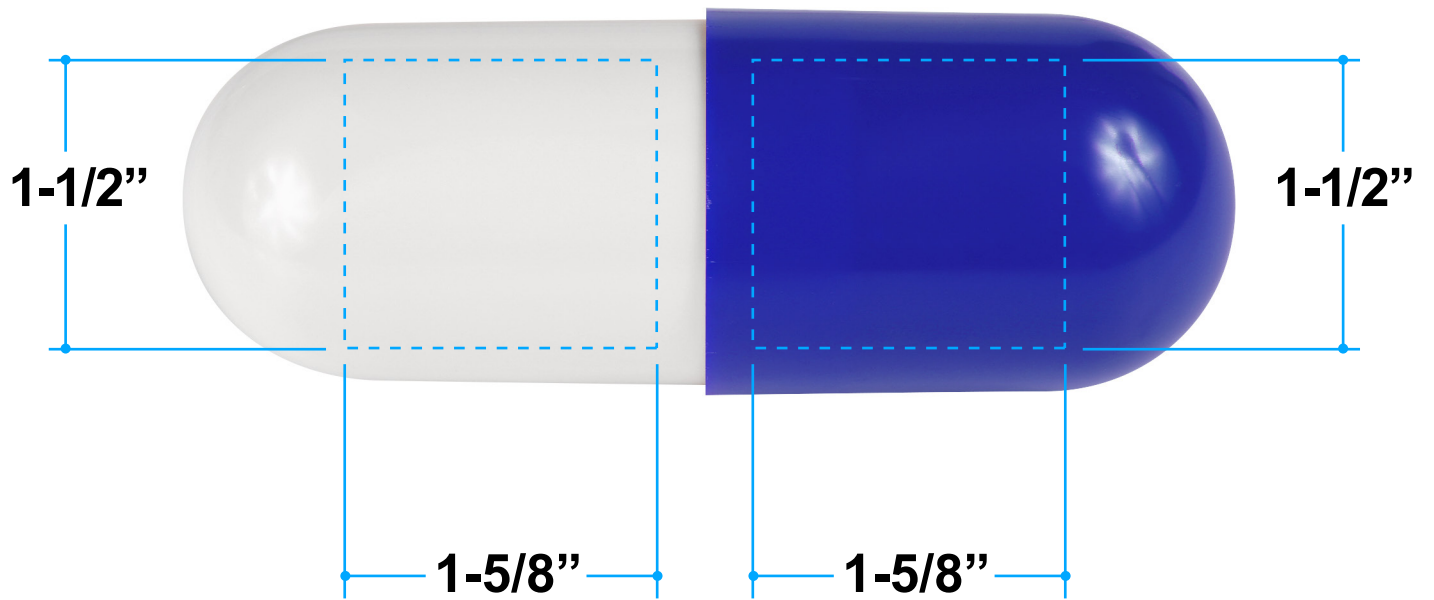
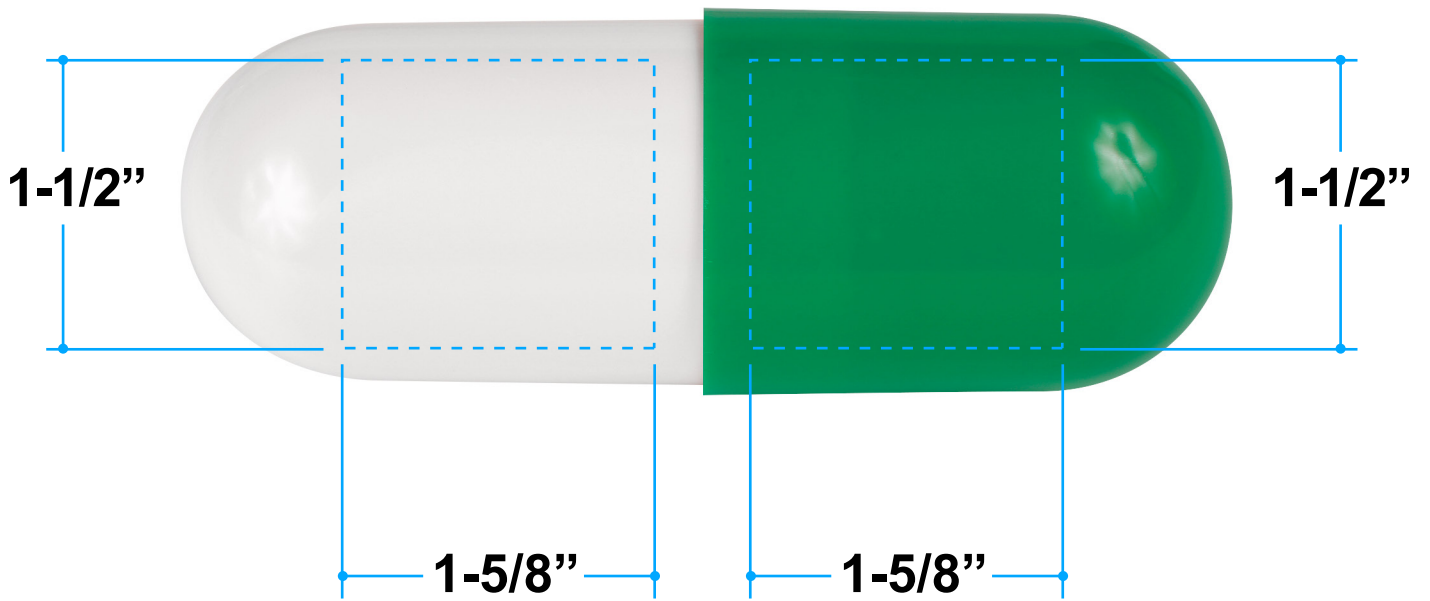


Proof/Layout form: QP22770
Capsule



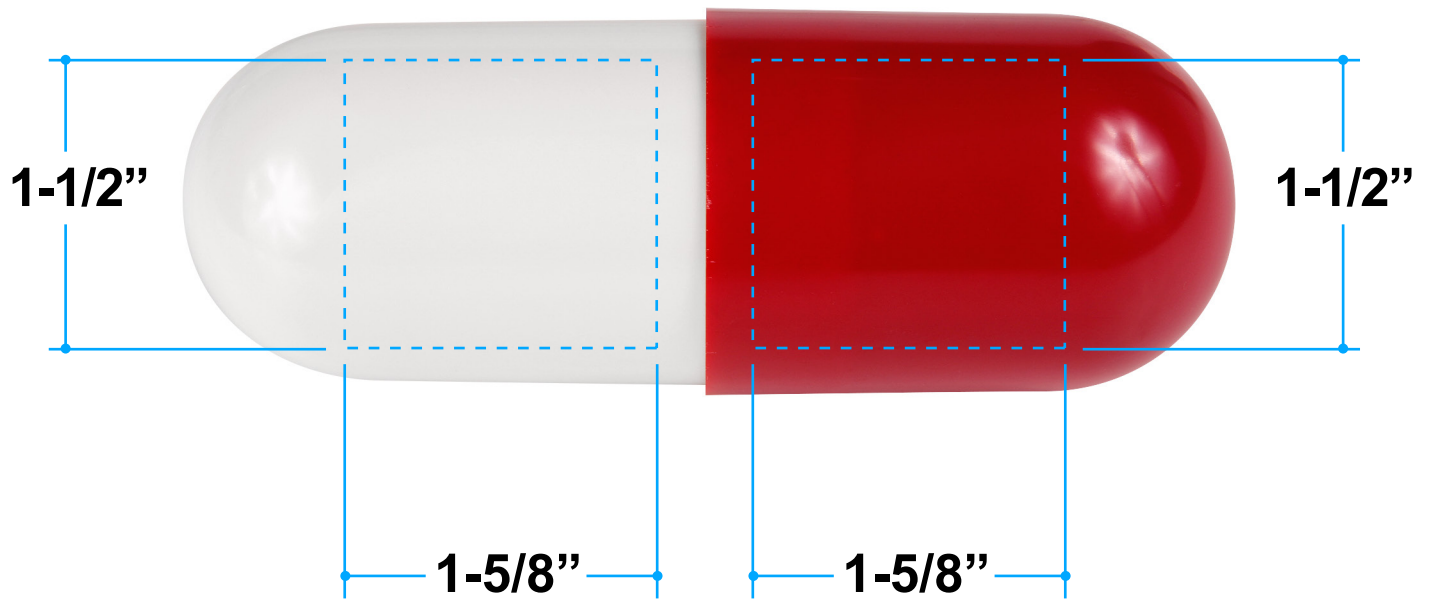
Item Color: White/Blue

Proof/Layout form: QP22770
Capsule



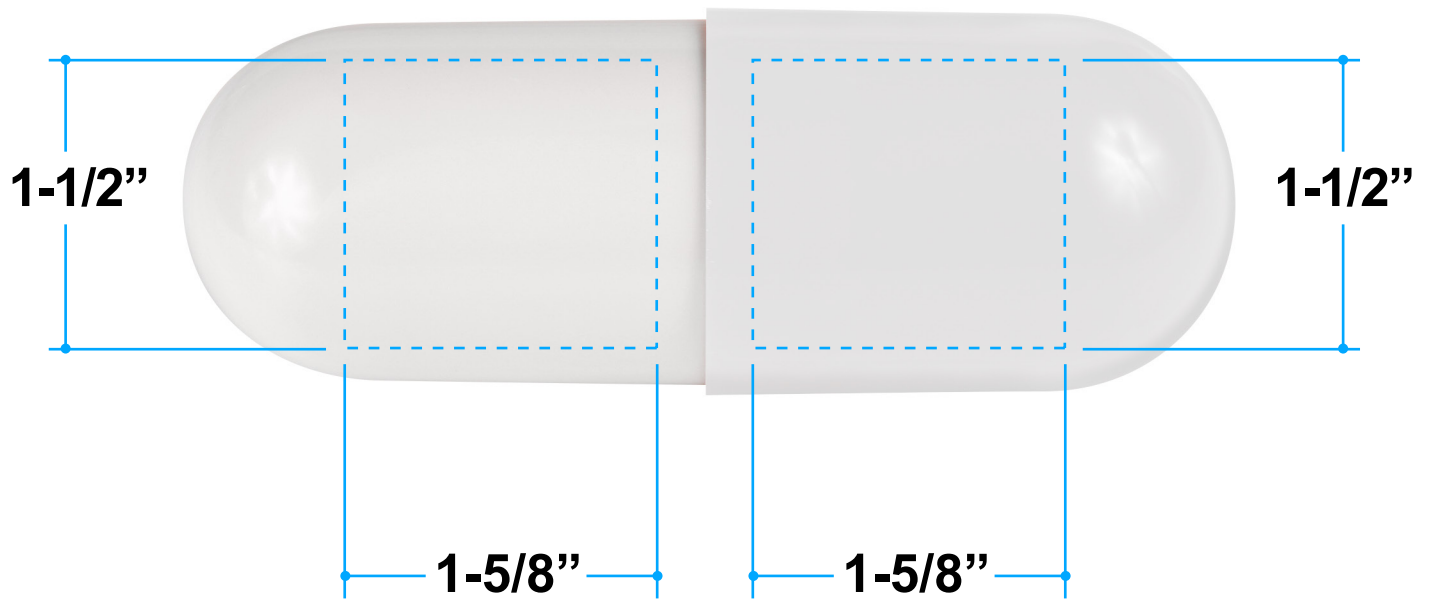
Item Color: White/Green

Proof/Layout form: QP22770
Capsule



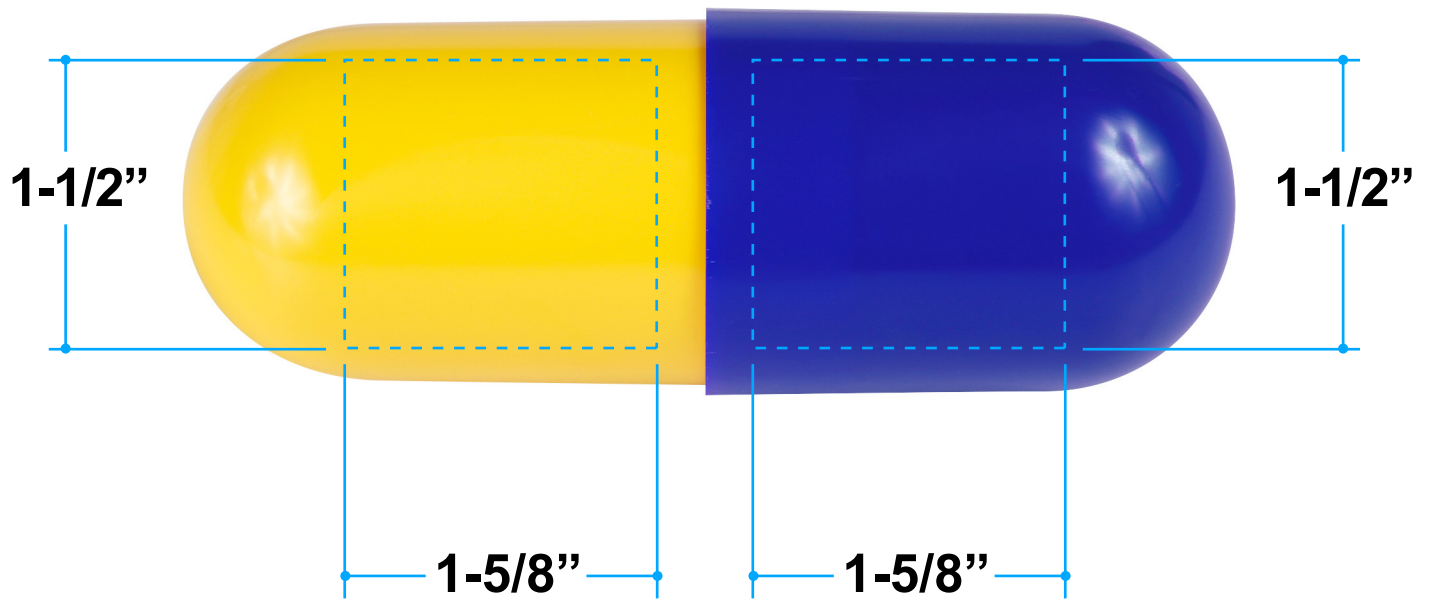
Item Color: White/Red

Proof/Layout form: QP22770
Capsule



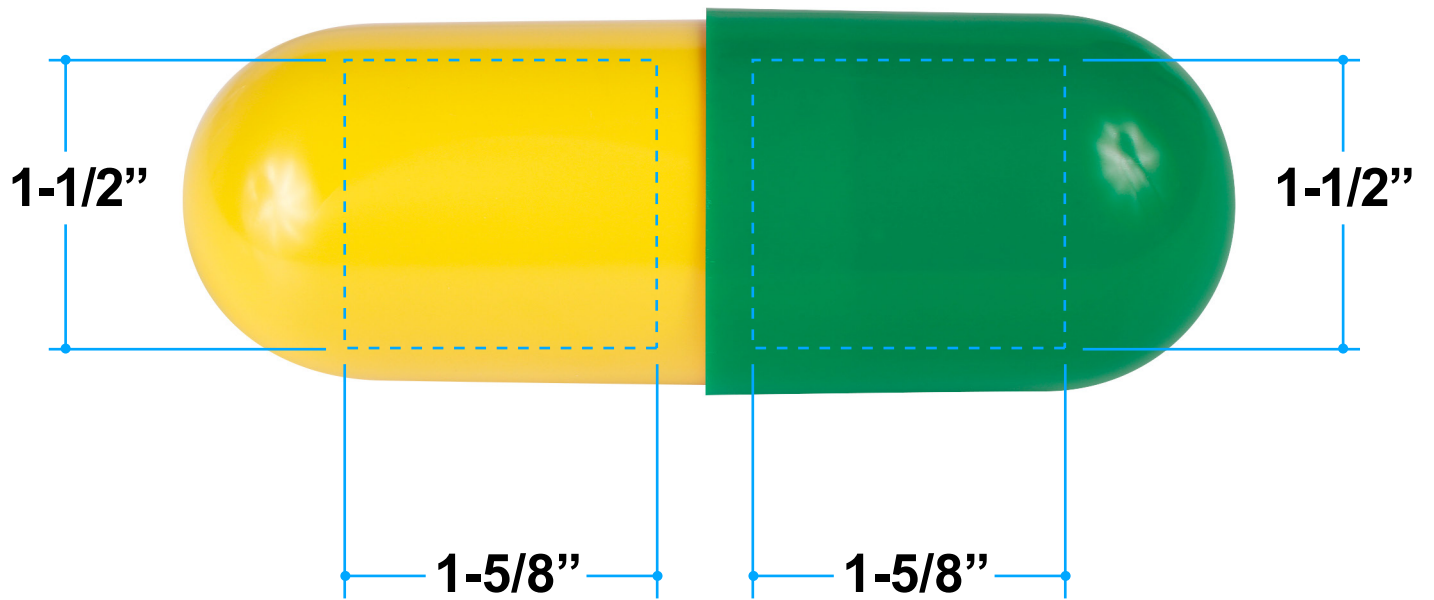
Item Color: White/White

Proof/Layout form: QP22770
Capsule



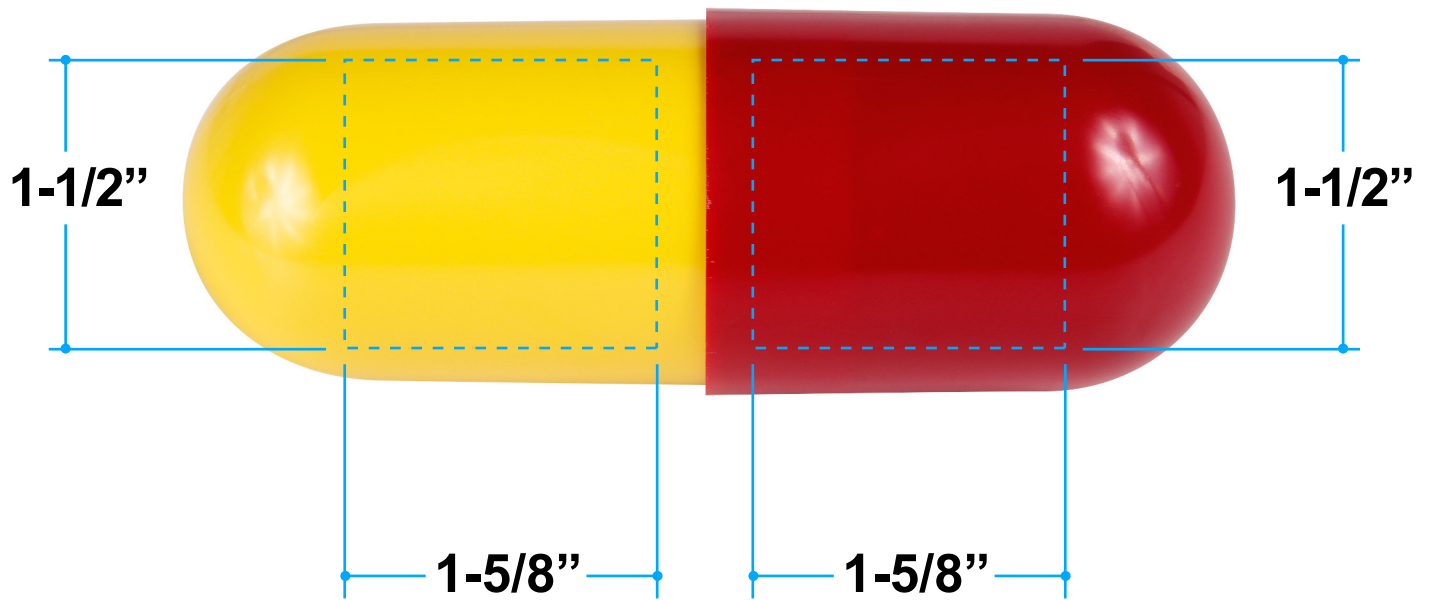
Item Color: Yellow/Blue

Proof/Layout form: QP22770
Capsule



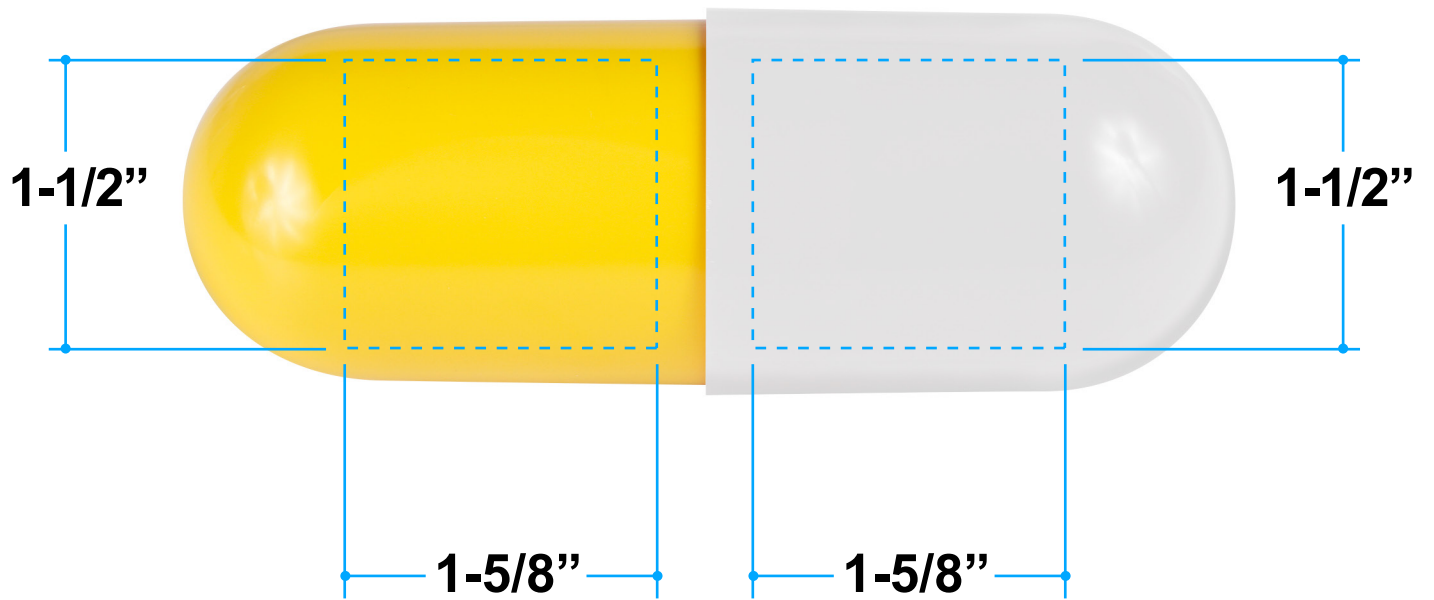
Item Color: Yellow/Green

Proof/Layout form: QP22770
Capsule



Item Color: Yellow/Red

Proof/Layout form: QP22770
Capsule



Item Color: Yellow/White