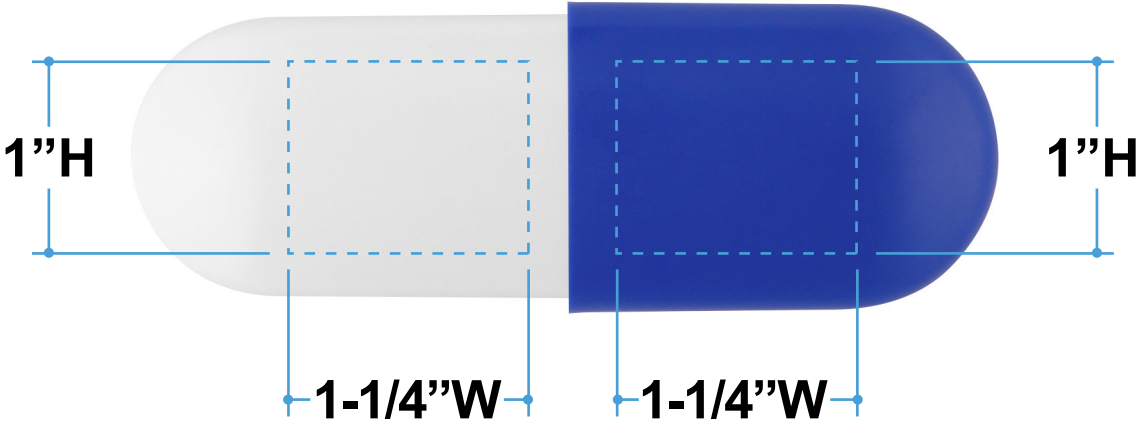
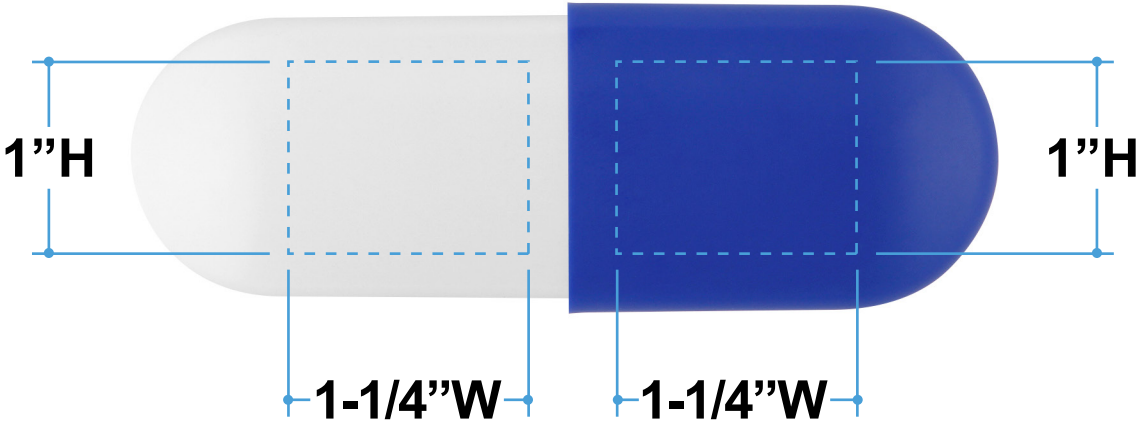


Proof/Layout form: QP3374
Capsule Bandage Dispenser

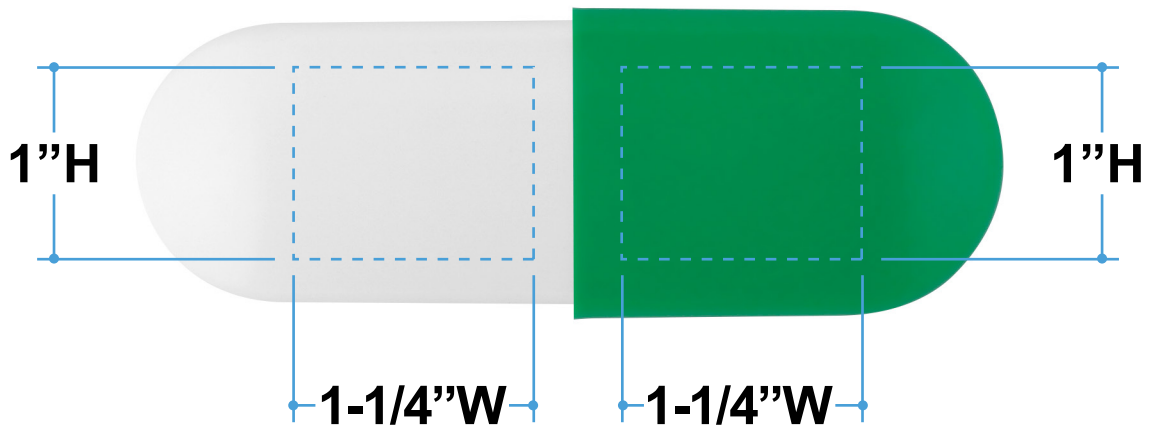
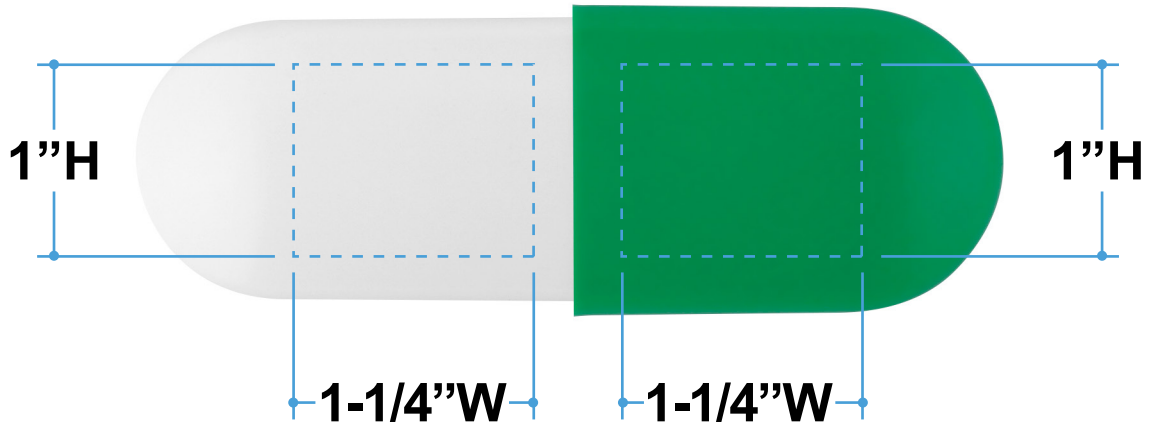


Optional Side

Item Color: White and Blue

Proof/Layout form: QP3374

Capsule Bandage Dispenser

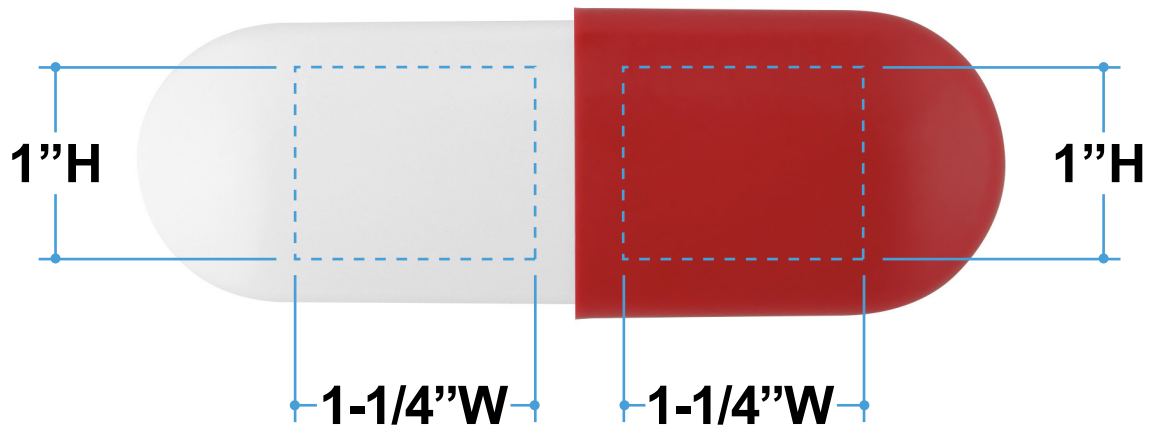
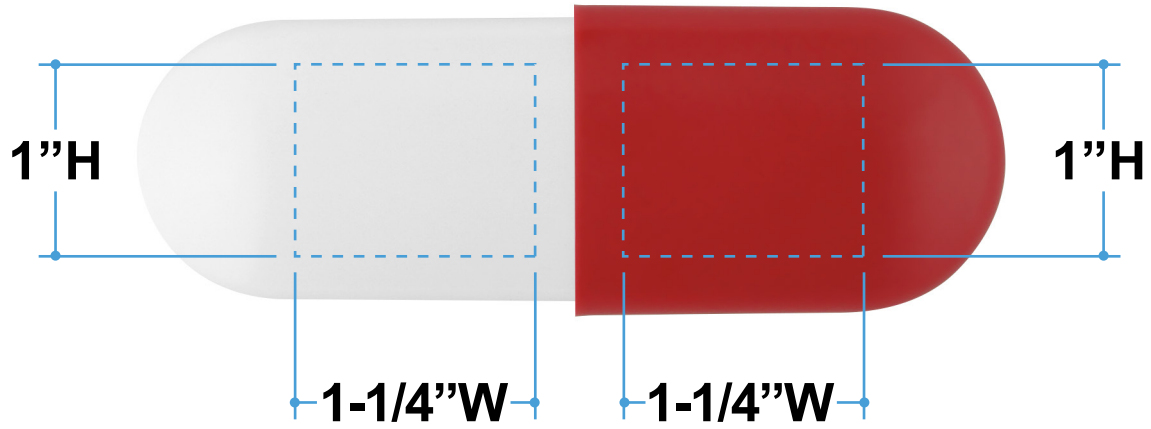


Optional Side

Item Color: White and Green

Proof/Layout form: QP3374

Capsule Bandage Dispenser

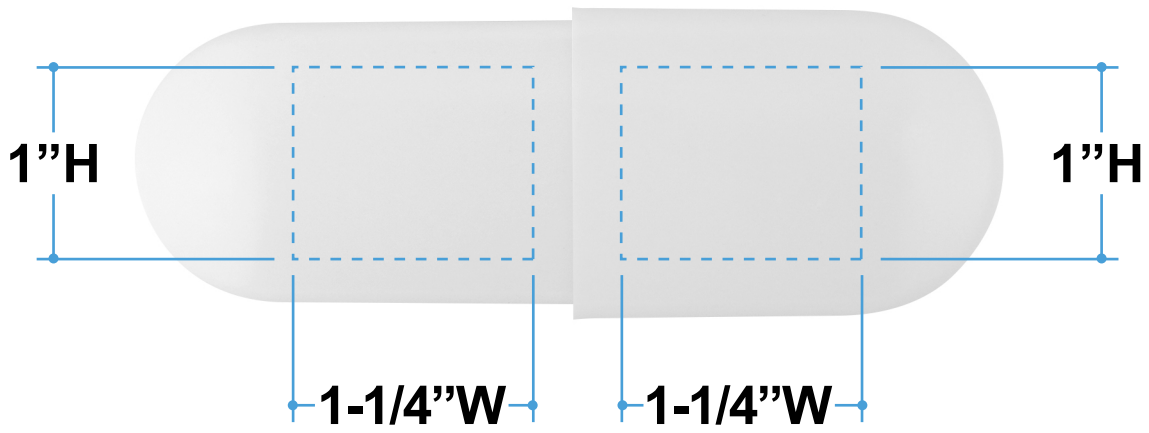
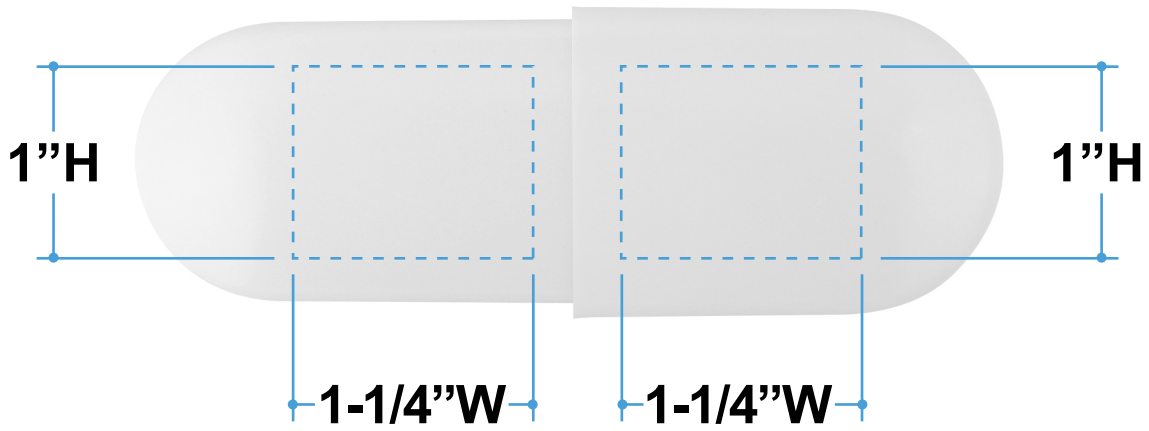


Optional Side

Item Color: White and Red

Proof/Layout form: QP3374

Capsule Bandage Dispenser

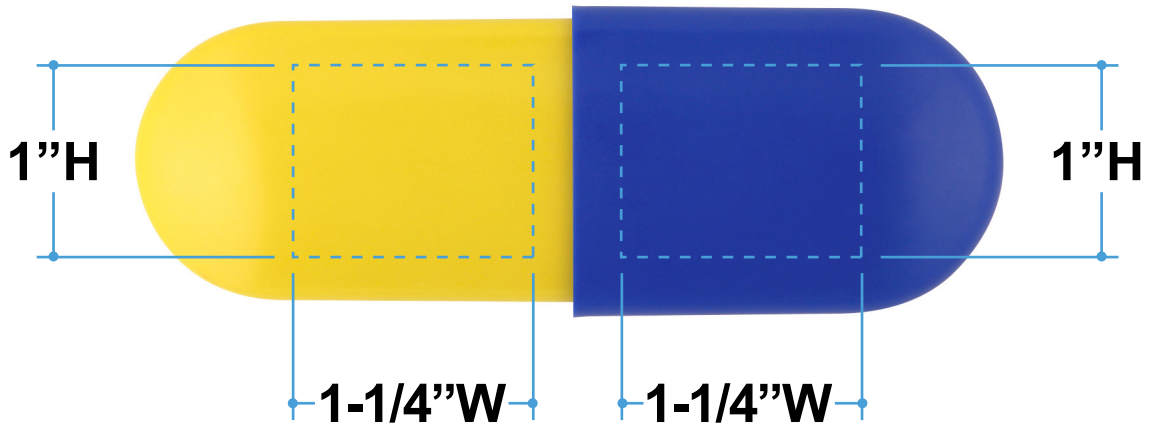
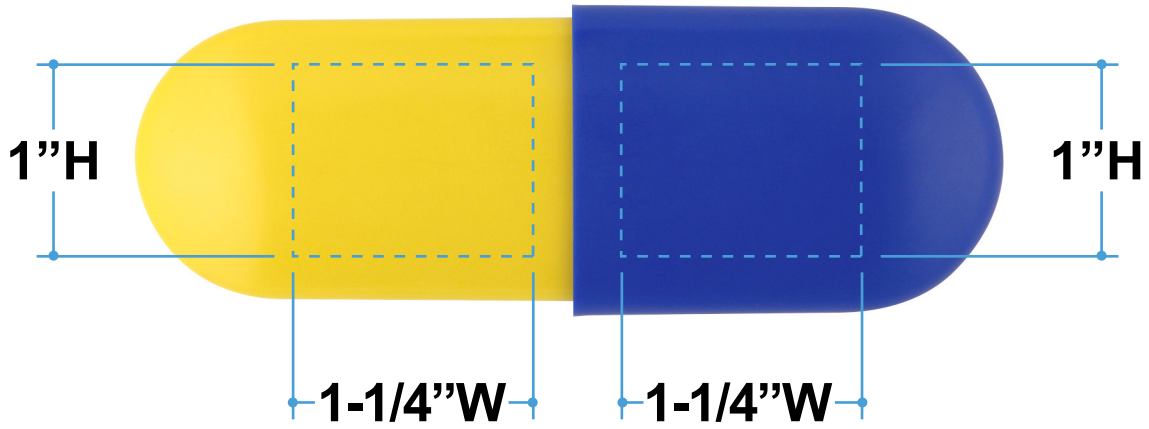


Optional Side

Item Color: White and White

Proof/Layout form: QP3374

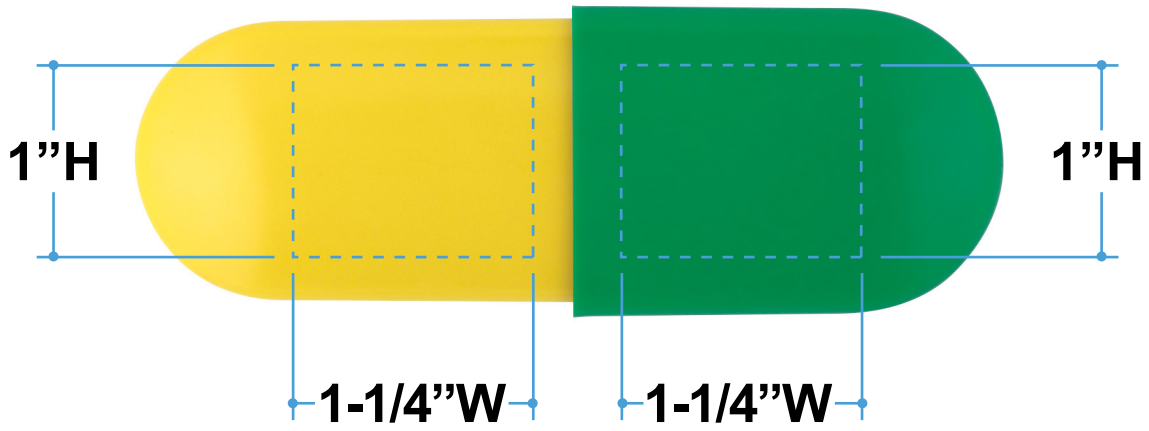
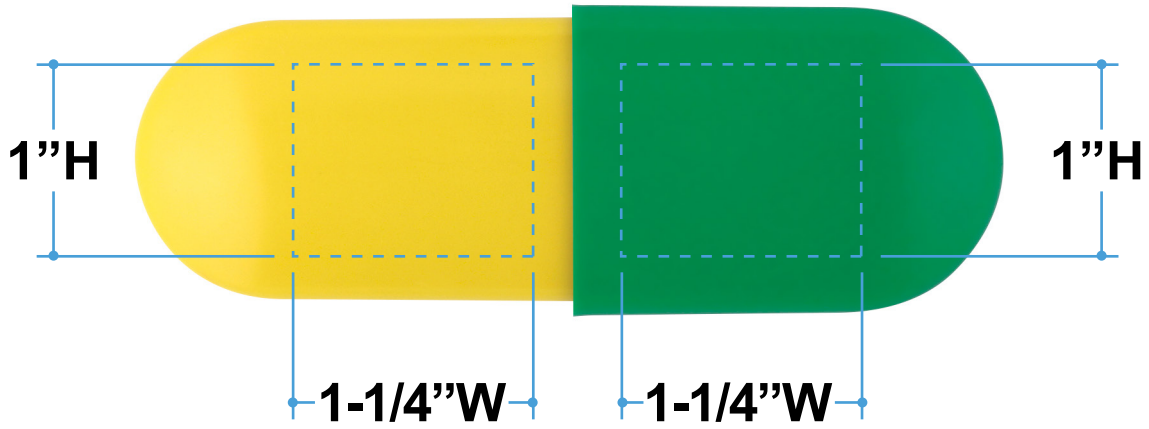
Capsule Bandage Dispenser



Optional Side

Item Color: Yellow and Blue

Proof/Layout form: QP3374
Capsule Bandage Dispenser

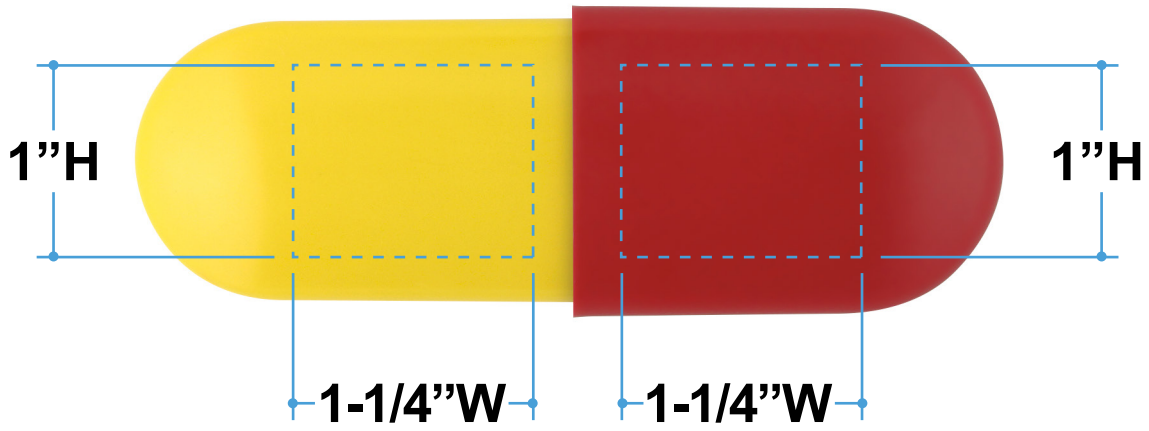
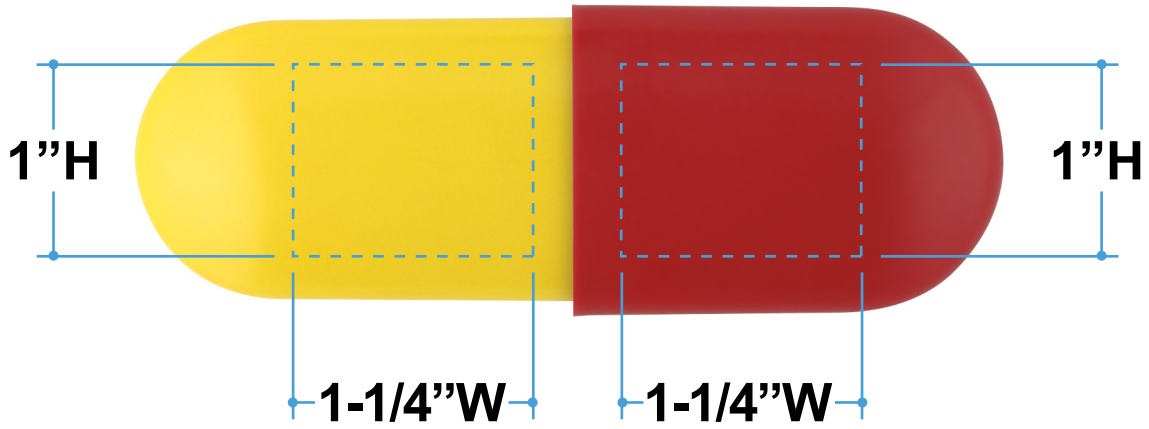


Optional Side

Item Color: Yellow and Green

Proof/Layout form: QP3374

Capsule Bandage Dispenser

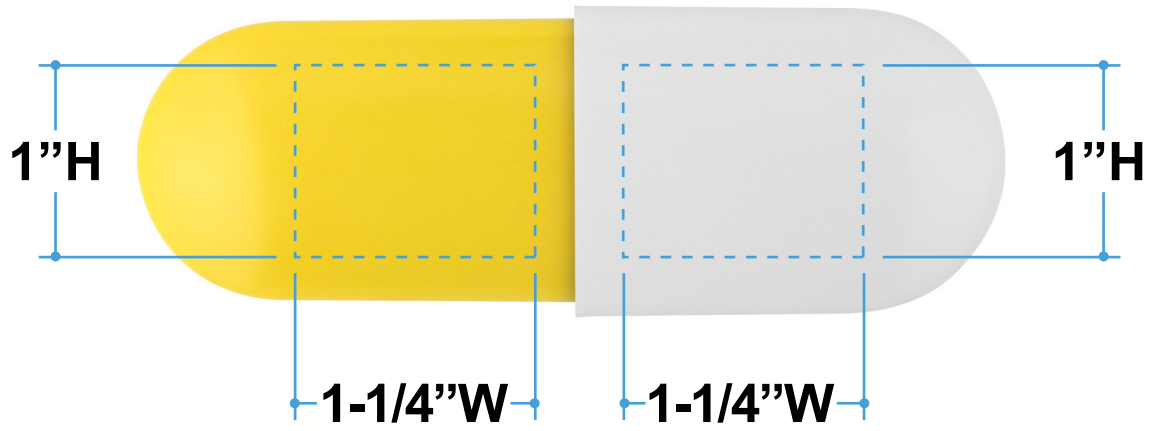
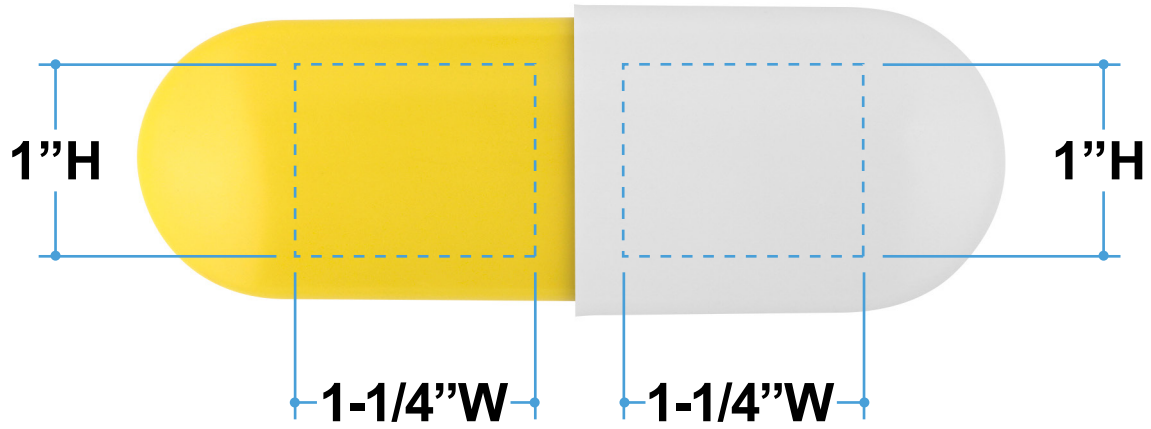


Optional Side

Item Color: Yellow and Red

Proof/Layout form: QP3374

Capsule Bandage Dispenser



Optional Side

Item Color: Yellow and White