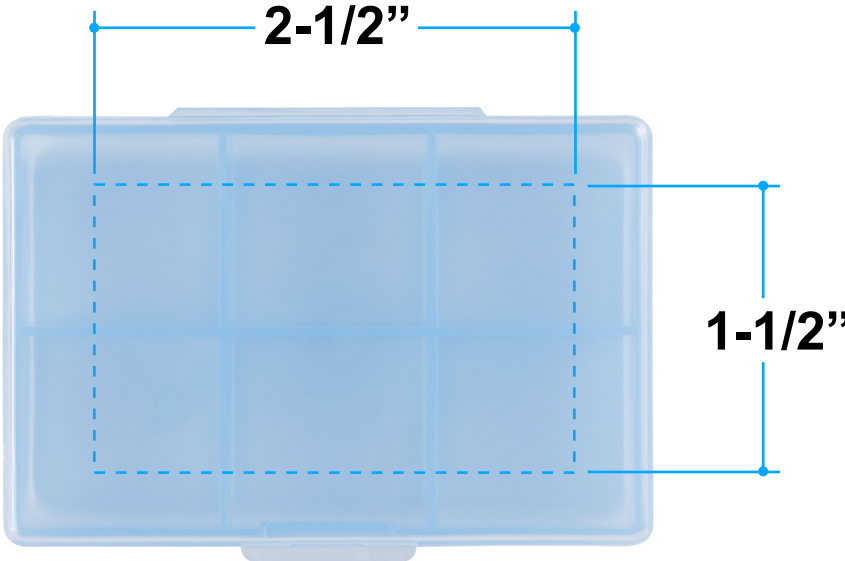
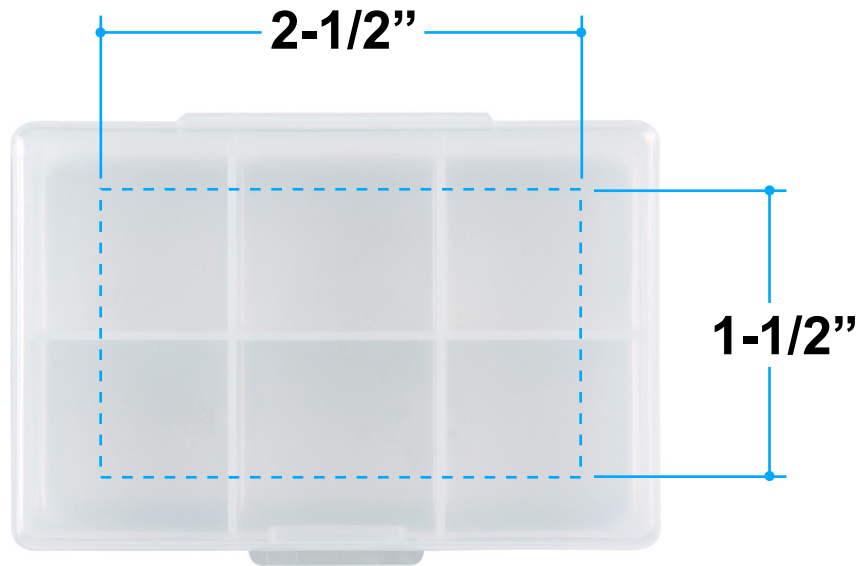


Proof/Layout form: QP52031
Apothecary Pill Box



Item Color: Frosted Blue

Proof/Layout form: QP52031
Apothecary Pill Box



Item Color: Frosted Clear